

Box PC Series-1A1 Intel® Celeron® J4125



- Processor: Intel® Celeron® J4125
- 4 to 8 GB RAM
- 6x COM, 6x USB, Wifi, Bluetooth
- Die-cast aluminum housing
- Fanless and compact
- Operating temperature -10 °C up to +60 °C

<https://www.wachendorff-electronics.comBPC002-A1>

Description

WACHENDORFF Series-1 Box PC

These robust X86 Box PCs, equipped with Intel Celeron processors, have been specially developed for demanding automation applications such as edge computing. They offer a choice of 4, 8 or 16 GB RAM and various interfaces, including 6x COM, 6x USB, WLAN and Bluetooth. The industrial design made of aluminum with optimal heat dissipation ensures reliable operation, even under high load.

In combination with our Box PCs, displays offer an interface to the machine that is detached from the actual computing unit. This enables central placement of the box PC and user-friendly positioning of the displays directly by the operator.

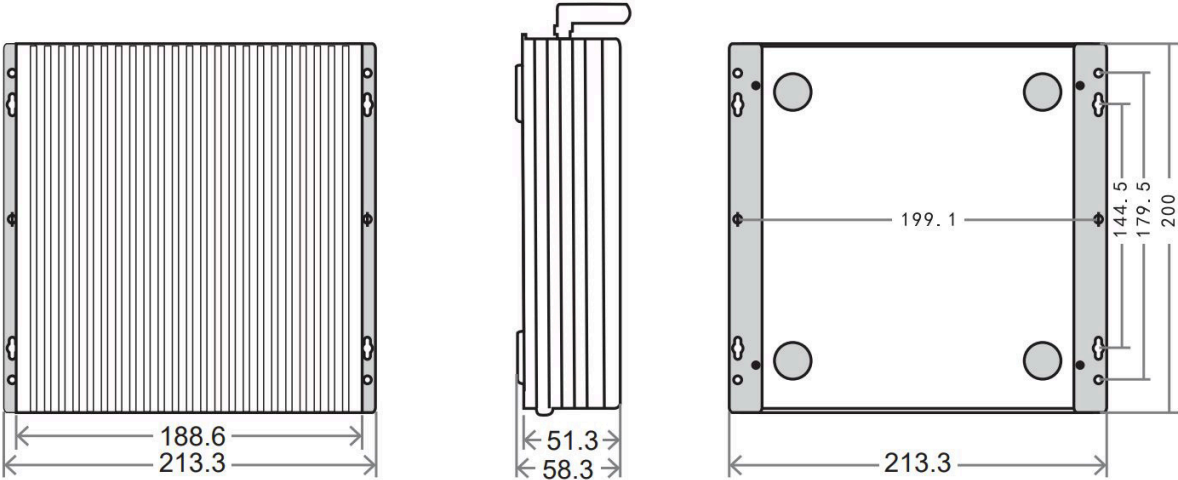
Product details

Power supply:	Hollow plug 5,5 x 2,5 mm: 12 VDC up to 36 VDC Screw terminal: 12 VDC up to 36 VDC
Power consumption:	15W
Processor:	Intel® Celeron® J4125 (2,70 GHz)
RAM:	Max. 8GB
SSD/HDD:	Max. 1 TB
Interfaces:	USB: 4 x USB 2.0 Typ A, 2 x USB 3.0 Typ A Serial: 6x RS-232 DB-9 (RS-485/422 on request) Ethernet: 2x RJ-45 Gigabit Ethernet (galvanically isolated) WLAN: 1x IEEE 802.11a/b/g/n 1x Bluetooth Display: 1x HDMI, 1x VGA Audio: 1x Audio In/Out, 3,5 mm jack
Expansion slots:	no
Housing:	Die-cast aluminium housing
Mounting:	Wall mounting Desktop
Protection class:	IP30, at the side IP2X
Dimensions (WxHxD):	200 mm x 188,6 mm x 51,3 mm
Weight:	approx. 1.9 kg
Certifications:	CE, RoHS, FCC, REACH
Ambient conditions:	Operation: -10 °C to + 60 °C, 95 %rF non condensing Storage: -20 °C to +70 °C, 95 %rF non condensing
Operating systems:	Windows® 10 IoT Windows® 11 IoT Linux

Scope of delivery:	1 x device 1 x installation guide
Customs tariff number:	847 15 000
Manufacturer:	Wachendorff Prozesstechnik GmbH & Co. KG

Drawings

Dimensions (mm)





Wachendorff Prozesstechnik GmbH & Co. KG
Industriestrasse 7 • 65366 Geisenheim
Germany

Phone: +49 (0) 67 22 / 99 65 - 20
E-Mail: wp@wachendorff.de
www.wachendorff-prozesstechnik.de

