

10.1 inch industrial display



- 10.1" brilliant TFT-LCD graphic display, 1280 x 800 pixels
- Robust aluminum housing, low installation depth
- High protection class IP65, flush-mounted design
- HDMI, DVI and VGA interface

<https://www.wachendorff-electronics.comDPL002-101C002P>

Description

The Series 1 industrial displays are available in sizes from 10.1" to 23.8" and can be equipped with projected capacitive, resistive or no touchscreen.

Particularly noteworthy is the front frame, which is only 3 mm thick, enabling almost flush mounting in the panel cut-out.

The housings are IP65 rated on the front and have a very compact and robust design thanks to the specially designed aluminum housing. The low installation depth means that the displays can be used almost anywhere.

Product details

Power supply:	12 VDC to 36 VDC
Power consumption:	Typical power consumption: 18 W Maximum power consumption: 48 W
Display:	10.1" TFT LCD
Resolution:	1280 x 800 pixels
Aspect ratio:	16:10
Brightness:	300 cd/m ² 1000 cd/m ² (High Brightness)
Colors:	16.7 million
Reading angle:	85/85/85/85 (L/R/U/D)
Touch screen:	capacitive touch
Glass hardness:	6H
Interfaces:	USB: RJ45-USB for touch Display: 1x HDMI, 1x DVI, 1x VGA Audio output: 3.5 mm jack
Housing:	Robust aluminum housing
Assembly:	VESA 100 x 100 and/or 75 x 75 Panel mounting
Protection class:	Front IP65
Weight:	approx. 1.6 kg
Dimensions (WxHxD):	293.6 mm x 193.6 mm x 53.5 mm
Ambient conditions:	Operation: -10 °C to +60 °C, Optional WT: -20 °C to +70 °C High Brightness: -20 °C to +70 °C Storage: -20 °C to +70 °C Up to 95 % r. h., non-condensing
Certifications:	CE FCC Class A CCC

Scope of delivery:	1 x Device 1 x Mounting Material 1 x RJ-45 to USB Cable 1 x VGA Cable (standard length: 1.5 m)
Customs tariff number:	85285210
Manufacturer:	Wachendorff Process Technology

Products Order no.

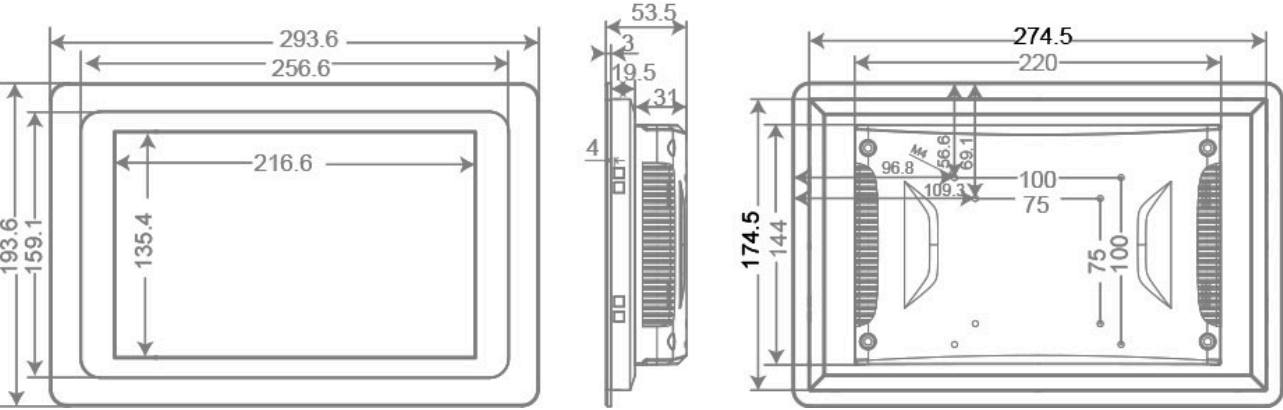
DPL002-101C002P	10.1 inch industrial display Die-cast aluminium housing, capacitive touch
-----------------	---

Accessories Order no.

DPL-PWRADAP_24VDC1.5A	External power supply unit for display, 230 VAC to 24 VDC with hollow connector and C14 plug
PPC-PWRCRD_01	Mains cable / connection cable E+F CEE 7/7 to C13 1.5 m
PPC-TOUCH-RJ-USB	Touch cable RJ-45 to USB type-A 1.5 m (spare part)
PPC-WALL-VESA-01	VESA wall mount metal, 75 x 75, 100 x100, black, including screw accessory pack
PPC-Stand_01	Industrial monitor/display stand, VESA 100x100, black
PPC-Stand_02	Industrial monitor/display stand, VESA 100x100, silver

Drawings

Dimensions (mm) and STL file/viewer:





Wachendorff Prozesstechnik GmbH & Co. KG
Industriestrasse 7 • 65366 Geisenheim
Germany

Phone: +49 (0) 67 22 / 99 65 - 20
E-Mail: wp@wachendorff.de
www.wachendorff-prozesstechnik.de

