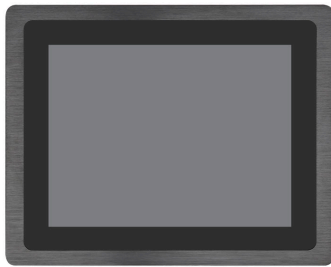


## 10.4 inch industrial display



- 10.4" brilliant TFT-LCD graphic display, 1024 x 768 pixels
- Robust aluminum housing, low installation depth
- High protection class IP65, flush-mounted design
- HDMI, DVI and VGA interface

<https://www.wachendorff-electronics.comDPL002-104R002P>

### Description

The Series 1 industrial displays are available in sizes from 10.1" to 23.8" and can be equipped with projected capacitive, resistive or no touchscreen. Particularly noteworthy is the front frame, which is only 3 mm thick, enabling almost flush mounting in the panel cut-out.

The housings are IP65 rated on the front and have a very compact and robust design thanks to the specially designed aluminum housing. The low installation depth means that the displays can be used almost anywhere.

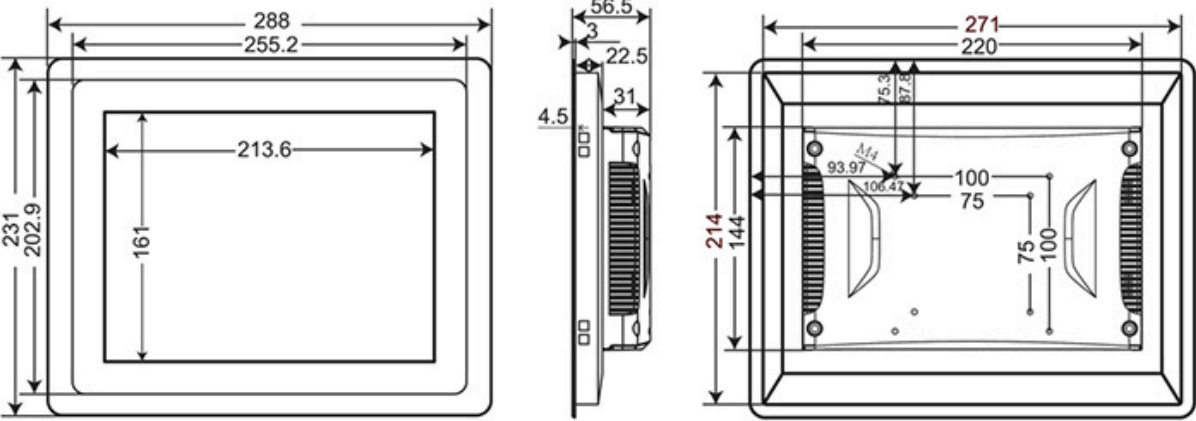
### Product details

Power supply:	12 VDC to 36 VDC
Power consumption:	Typical power consumption: 18 W Maximum power consumption: 48 W
Display:	10.4" TFT LCD
Resolution:	1024 x 768 pixels
Aspect ratio:	4:3
Brightness:	400 cd/m <sup>2</sup> 800 cd/m <sup>2</sup> (High Brightness)
Colors:	16.7 million
Reading angle:	80/80/80/80 (L/R/U/D)
Touch screen:	Resistive touch
Glass hardness:	3H
Interfaces:	USB: RJ45-USB for touch Display: 1x HDMI, 1x DVI, 1x VGA Audio output: 3.5 mm jack
Housing:	Robust aluminum housing
Assembly:	VESA 100 x 100 and/or 75 x 75 Panel mounting
Protection class:	Front IP65
Weight:	approx. 2.0 kg
Dimensions (WxHxD):	288 mm x 231 mm x 56.5 mm
Ambient conditions:	Operation: -10 °C to +60 °C, Optional WT: -20 °C to +70 °C High Brightness: -20 °C to +70 °C Storage: -20 °C to +70 °C Up to 95 % r. h., non-condensing
Certifications:	CE FCC Class A CCC
Scope of delivery:	1 x Device 1 x Mounting Material 1 x RJ-45 to USB Cable 1 x VGA Cable (standard length: 1.5 m)

Customs tariff number:	85285210
Manufacturer:	Wachendorff Process Technology

**Drawings**

Dimensions (mm) and STL file/viewer:





Wachendorff Prozesstechnik GmbH & Co. KG  
Industriestrasse 7 • 65366 Geisenheim  
Germany

Phone: +49 (0) 67 22 / 99 65 - 20  
E-Mail: [wp@wachendorff.de](mailto:wp@wachendorff.de)  
[www.wachendorff-prozesstechnik.de](http://www.wachendorff-prozesstechnik.de)

