

12.0 inch WebPanel WPC002-120RAT



- 12.0" brilliant TFT-LCD graphic display, 1024 x 768
- resistive touch
- IP65 front, flush-mounted design
- Integrated WiFi and Bluetooth
- Fanless design

<https://www.wachendorff-electronics.com/WPC002-120RAT>

Description

The Series 1 WebPanels with the RK3399 chipset are available in sizes from 10.1" to 23.8" and can be equipped with either a projected capacitive, resistive or non-touch screen. Particularly noteworthy is the particularly flat front bezel, which enables almost flush mounting in the panel cut-out.

The RK3399 chipset has a quad-core Cortex-A53 with up to 1.4 GHz and dual-core Cortex-A72 with 1.8 GHz. The housings are IP65 rated at the front and have a very compact and robust design thanks to the specially designed aluminum housing. The low installation depth means that the displays can be used almost anywhere.

Product details

| | |
|--------------------|---|
| Power supply: | Hollow plug 5.5 x 2.5 mm: 12 VDC to 36 VDC Screw terminal: 12 VDC to 36 VDC |
| Power consumption: | Typical power consumption: 18 W Maximum power consumption: 48 W |
| Display: | 12.0" TFT LCD |
| Resolution: | 1024 x 768 pixels |
| Aspect ratio: | 4:3 |
| Brightness: | 500 cd/m ² 1000 cd/m ² (High Brightness) |
| Colors: | 16.7 million |
| Reading angle: | 85/85/85/85 (L/R/U/D) |
| Touch screen: | resistive touch |
| Glass hardness: | 3H |
| Processor: | RK3399 quad-core chip Dual Core Cortex-A53 up to 1.4 GHz Quad-Core Cortex-A72 up to 1.8 GHz |
| RAM: | 4 GB DDR3 RAM |
| Storage: | Onboard 64 GB eMMC NAND Flash |

| | |
|------------------------|---|
| Interfaces: | USB: 1x USB 3.0 type A, 1x USB 2.0 type A Serial DB9: 1x RS-232 12 pin screw terminal: 1x RS-485, 1x RS-232, 1x TTL, 3x GPIO Ethernet: 1x 10/100/1000 BaseT(X), RJ45, galvanically isolated Display: 1x HDMI output Audio output: 3.5 mm jack Memory card slot: microSD slot Sim card slot: standard SIM (no function as standard) WLAN: 1x 802.11 a/b/g/n/ac/ax Bluetooth: 1x Bluetooth 5.0 Speakers: 2 x (8 Ohm, 2 W) |
| Housing: | Robust aluminum housing |
| Assembly: | VESA 100 x 100 and/or 75 x 75 Panel mounting |
| Protection class: | Front IP65 |
| Weight: | approx. 2.1 kg |
| Dimensions (WxHxD): | 319 mm x 257 mm x 56.5 mm |
| Ambient conditions: | Operation: -10 °C to +60 °C, Optional WT: -20 °C to +70 °C High brightness: -30 °C to +70 °C Storage: -20 °C to +70 °C Up to 95 % r. h., non-condensing |
| Certifications: | CE FCC Class A CCC |
| Operating system: | Android Android + AutomationBrowser (standard, for SAIA visualizations on request) |
| Scope of delivery: | 1x device 1x mounting material |
| Customs tariff number: | 84714100 |
| Manufacturer: | Wachendorff Prozesstechnik |

Products Order no.

WPC002-120RAT04064AAV02P- 12.0" web panel, resistive touch, automation browser.

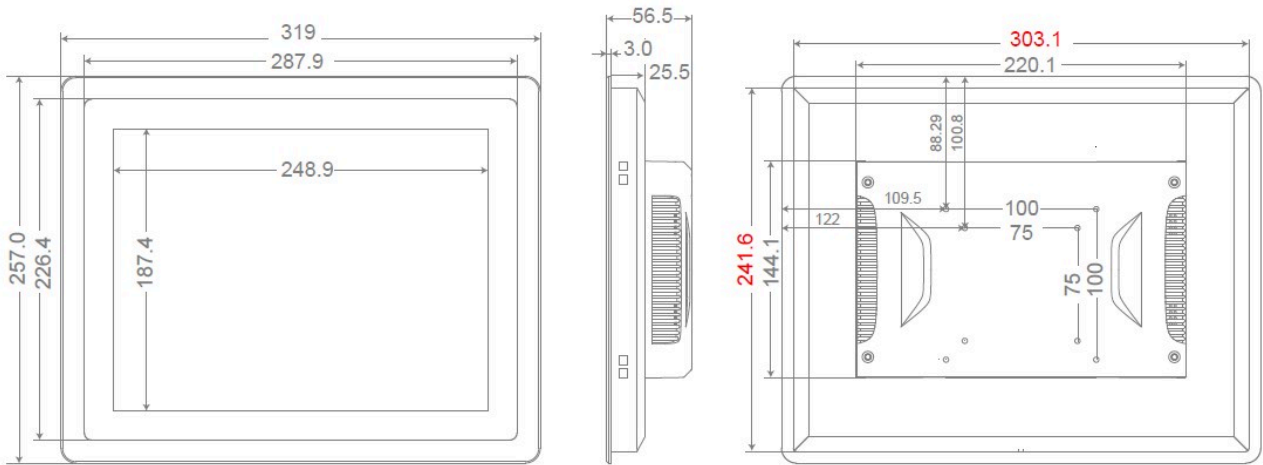
WPC002-120RAT04064AAV02P 12.0" web panel, resistive touch.

Accessories Order no.

| | |
|---------------------------|---|
| PPC-PWRCRD_01 | Mains cable / connection cable E+F CEE 7/7 to C13 1.5 m |
| WPC- PWRADAP_24VDC2.5A | External power supply unit for WebPanel, 230 VAC to 24 VDC with hollow connector and C14 plug |
| PPC-WALL-VESA-01 | VESA wall mount metal, 75 x 75, 100 x100, black, including screw accessory pack |
| PPC-Stand_01 | Industrial monitor/display stand, VESA 100x100, black |
| PPC-Stand_02 | Industrial monitor/display stand, VESA 100x100, silver |

Drawings

Dimensions (mm) and STEP file/viewer:





Wachendorff Prozesstechnik GmbH & Co. KG
Industriestrasse 7 • 65366 Geisenheim
Germany

Phone: +49 (0) 67 22 / 99 65 - 20
E-Mail: wp@wachendorff.de
www.wachendorff-prozesstechnik.de

